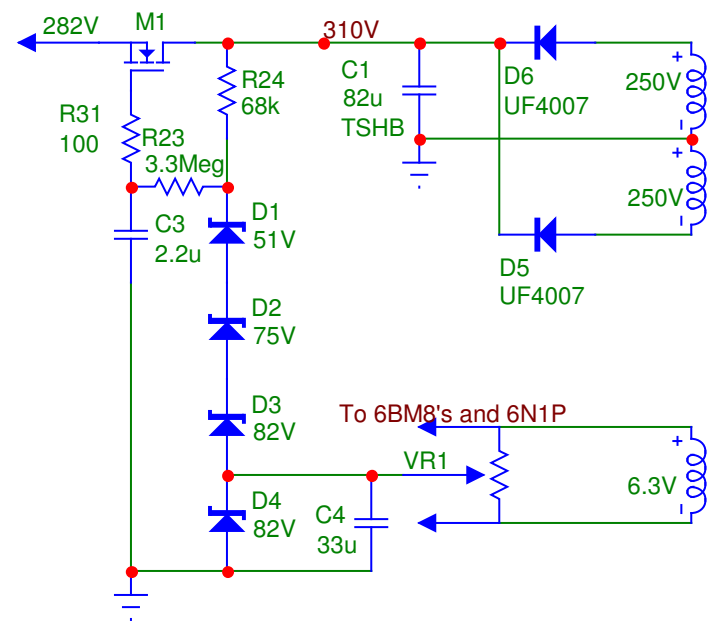
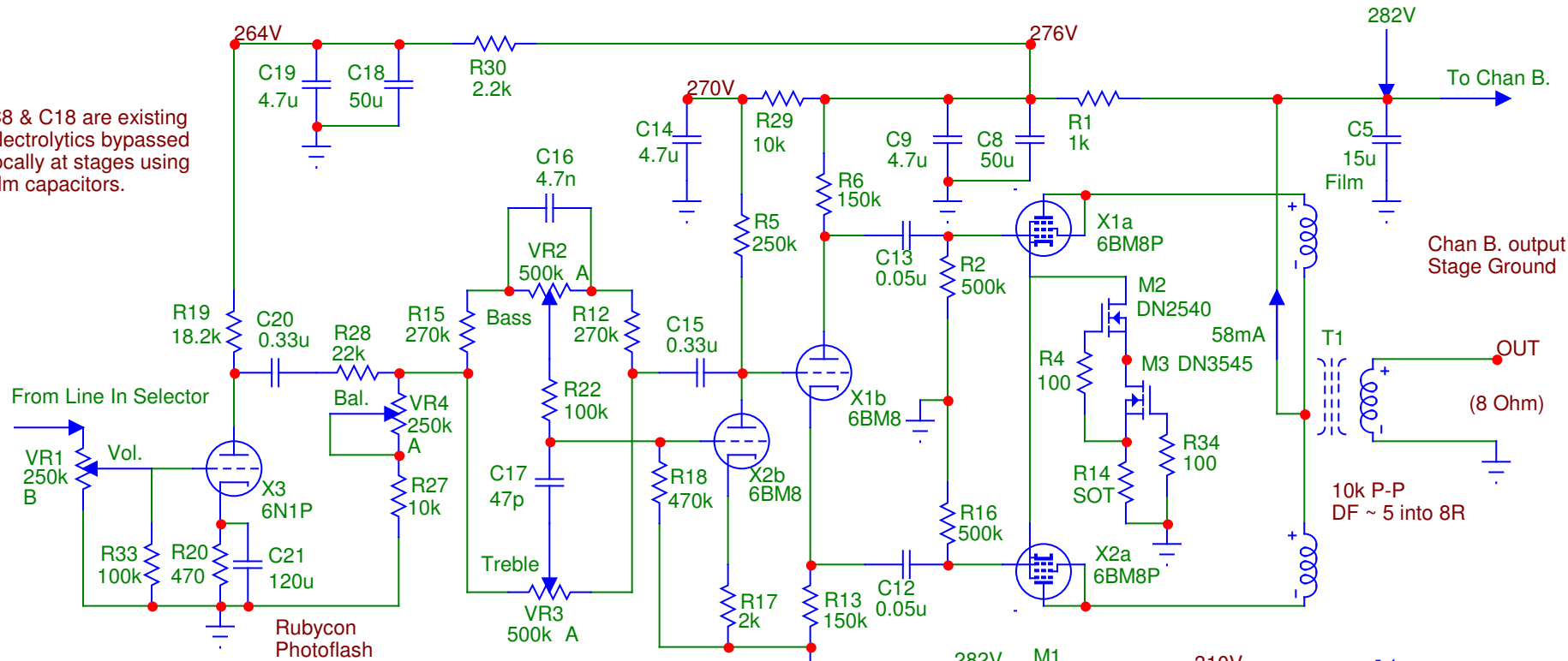


C8 & C18 are existing electrolytics bypassed locally at stages using film capacitors.



This document and the information herein is the sole property of Richard F. Sears and shall not be used for commercial purposes without the express written permission of Richard F. Sears (triodeman@earthlink.net)

Calrad SA-30, Modified.