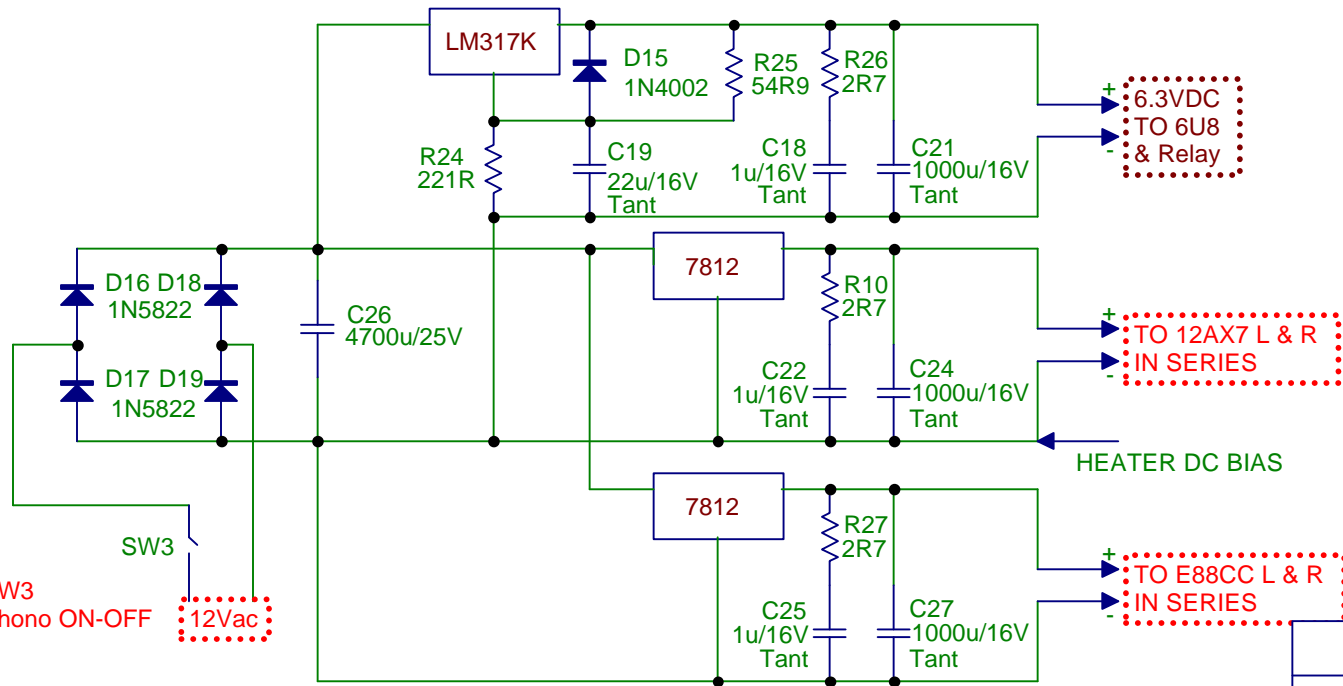


C10 & C11 are 47uF BlackGate NX Hi-Q pairs. Gain increase gain 2dB  
A cathode bypass cap on the mu follower has almost no effect.

Gain @ 1kHz:  
12AX7, 43.5dB  
5751, 41.5B  
Zout, 700R

GREEN NEON



RECOMMENDED COMPONENTS:

- Resistors, Holco metal film;
- H4 (1/2W, 1%)
- C3 & 4, Multicap RT
- C5, 7 & 8 Multicap TFT
- C9, Multicap RTX
- C12, Solen or AEON film

This document & the information herein is the sole property of Richard F. Sears and shall not be used for commercial purposes without the express written permission of Richard F. Sears. (triodeguy@dockpoint.net)

Rev. C  
5/31/2002