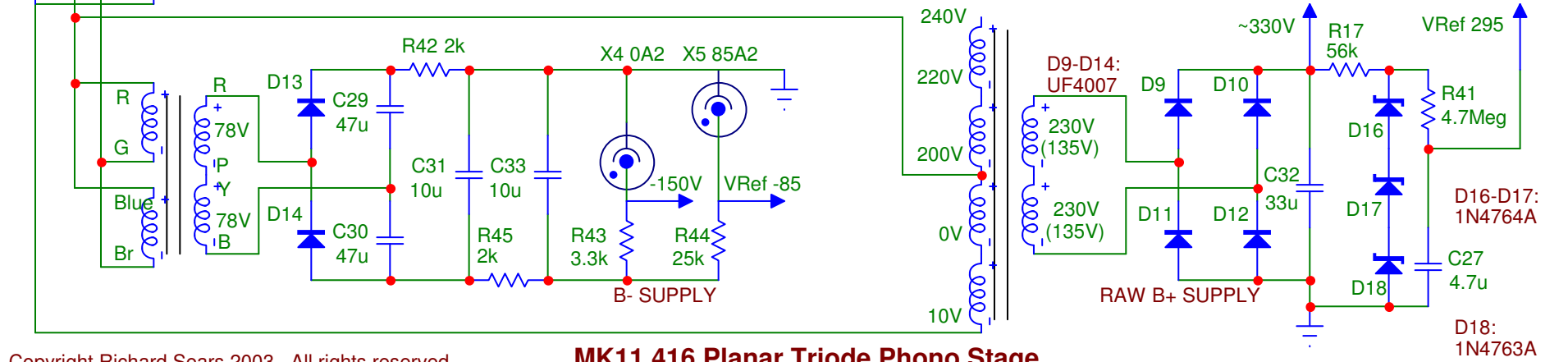
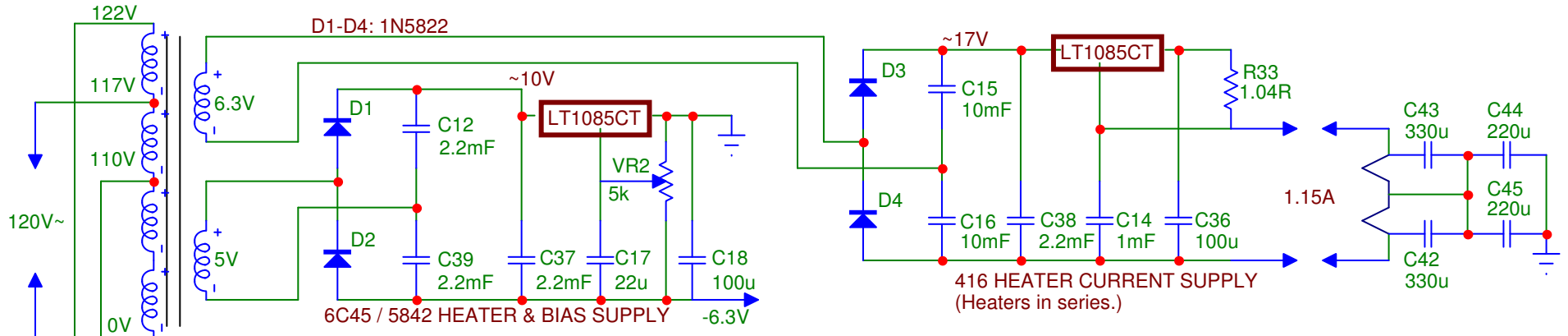


B+ REGULATOR: SEPARATE FOR EACH STAGE
 For 160V/17mA: R13 = 3.4k, R15 = 27k, R16 = 160k
 120u caps are Rubycon Photoflash



MK11 416 Planar Triode Phono Stage