

76 Operating Point
170V / 6mA
27 Operating Point
160V / 6mA

350V

45 Operating Point
260V / 30mA

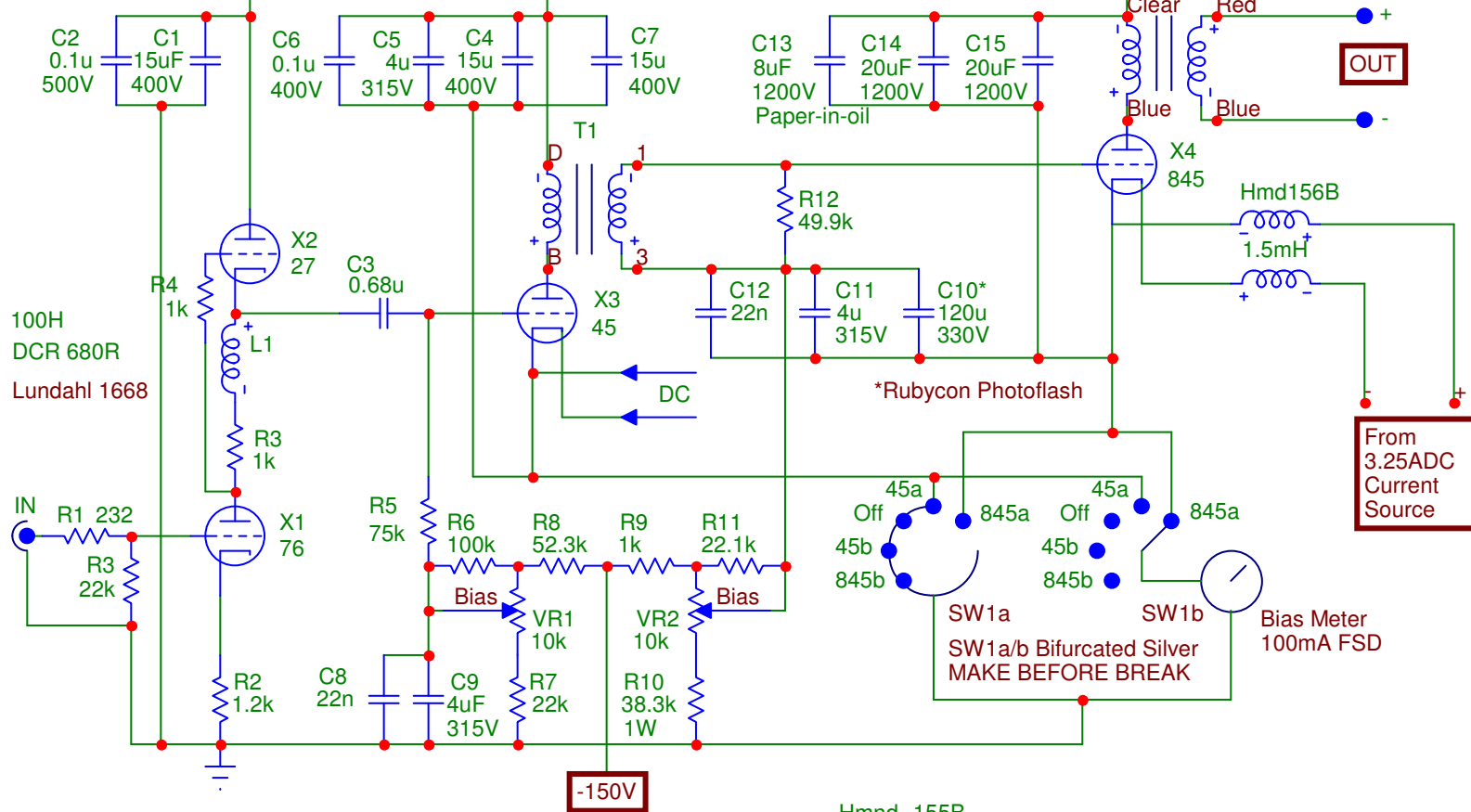
260V

Bartolucci INT4 XR-B
Primary 15k / 70H@70mA
N=1
DCR (Pri & Sec) 170R

845 Operating Point
1000V / 75mA

+1000V

RFS 845SE:
Primary, 11k / 70H@75mA
N=37:1
DCR Pri, 210R; Sec, 0.4R



This document & the information herein is the sole property of Richard F. Sears and shall not be used for commercial purposes without the express written permission of Richard F. Sears. (triodeman@earthlink.net)

Rev. N
7/30/2004