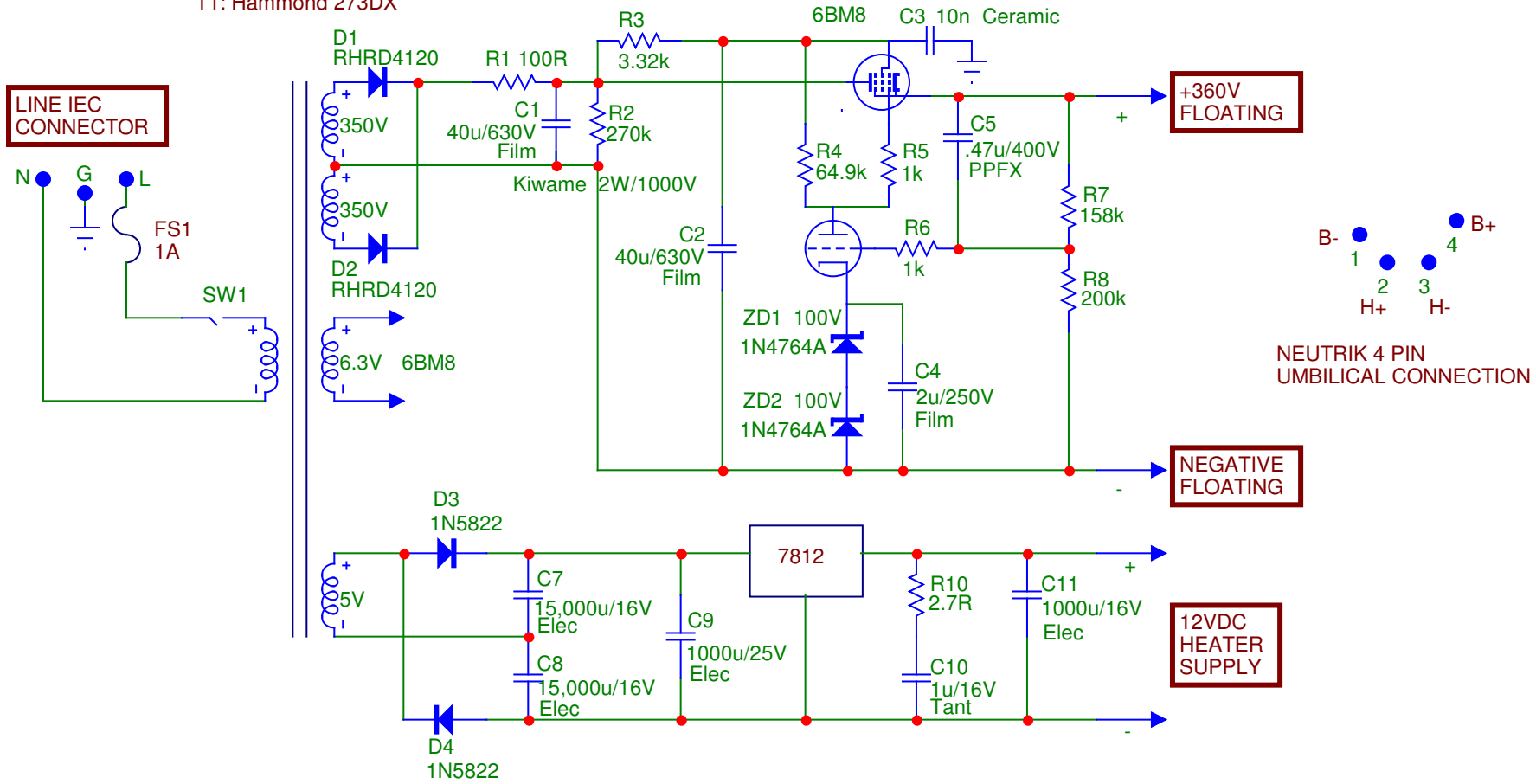


T1: Hammond 273DX



RECOMMENDED COMPONENTS:
 Resistors, Roerderstein metal film;
 MK3 (1/2W, 1%)
 Large capacitors, Solen or AEON
 Small capacitors, Multicap PPFX
 Electrolytic capacitors, Nichicon
 or Panasonic

This document and the information herein
 is the sole property of Richard F. Sears
 and shall not be used for commercial
 purposes without the express written
 permission of Richard F. Sears
 (triodeguy@earthlink.net)

Rev. -
 1/30/2001