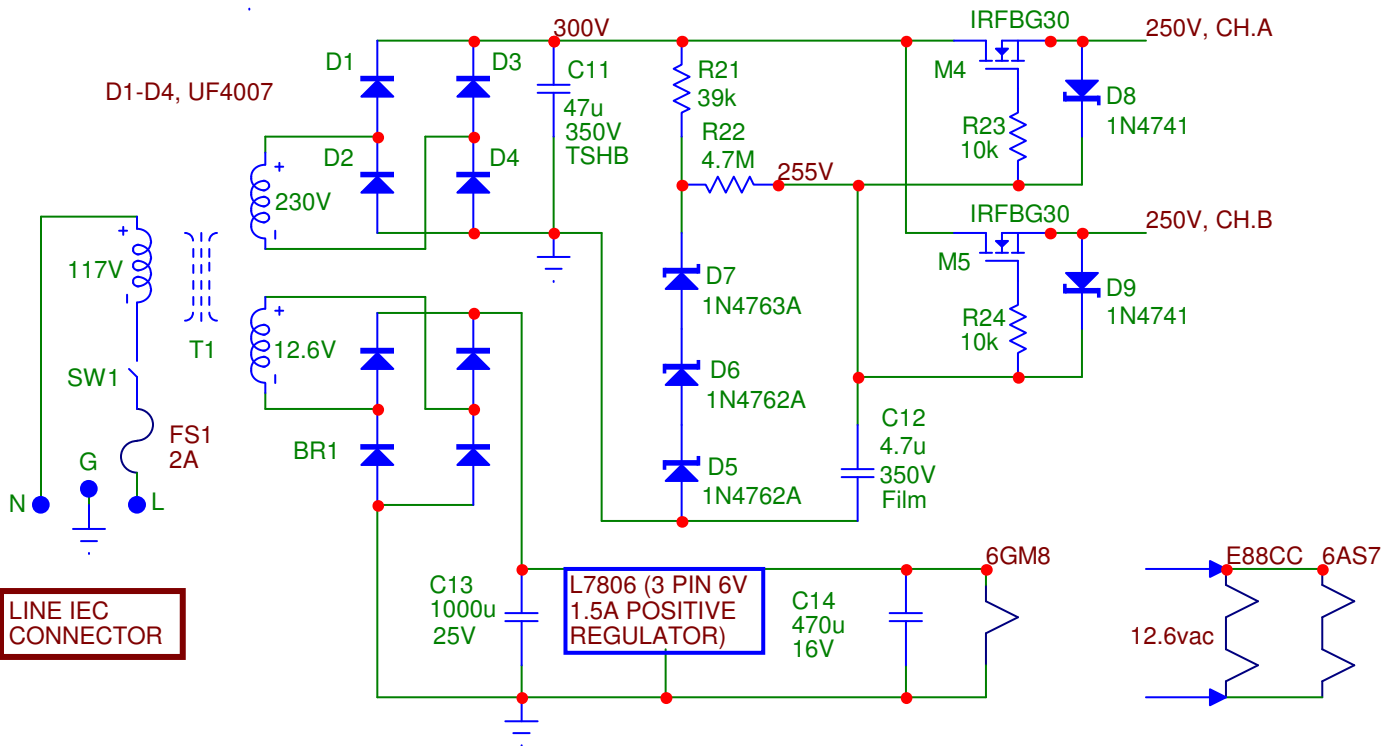


Notes:

- 1/ T2 is a Talem 62081 50VA power toroid, that reflects approximately 4.7k from an 8ohm load
- 2/ R16 & R18 to be set for 70mA, currents matched within 0.1mA
- 3/ The plate voltage rating of the 6DJ8/ECC88 type is marginal for X2
- 4/ C2,3&4 are Auricaps or other premium coupling cap.



This document & the information herein is the sole property of Richard F. Sears and shall not be used for commercial purposes without the express written permission of Richard F. Sears. (richard@triodeguy.com)

Rev. J
9/06/2005

LOW COST 6AS7 PP

CLASS A AMPLIFIER
 Typical 2 Channels (PSU common)
 MC6DEMO.RICH.LOW.COST.6AS7
 Richard F. Sears 5/20/2002